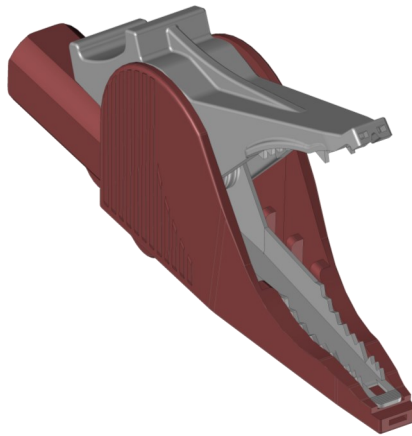
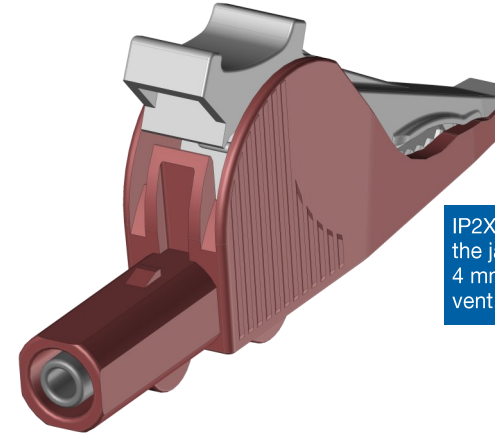


5066-IEC

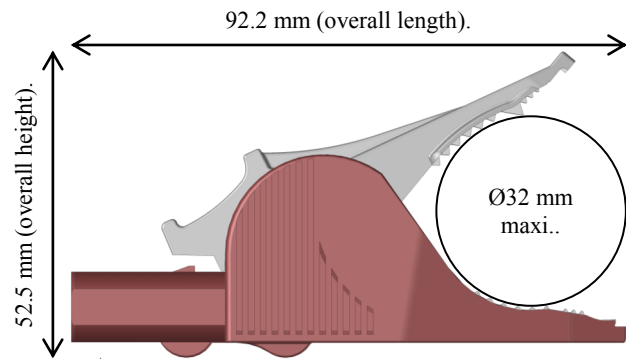
Designation : Alligator Clip w/ 4 mm Banana (female) Jack (socket).



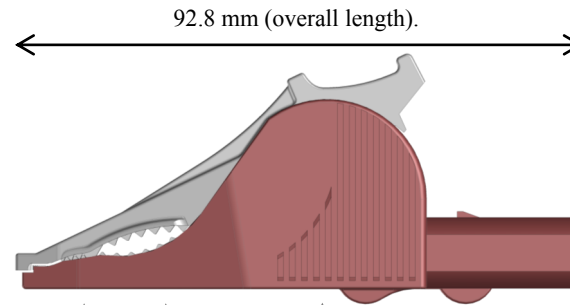
Optimum jaw design including "fangs" and almond-shaped profile to clench well a lot of various items as bar, wire, screw, PCB pin, etc.



IP2X touchproof protection on the jaws when closed and the 4 mm banana female to prevent accidental contact.



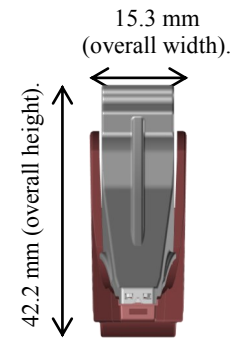
The 4 mm banana female connection complies with the 4 mm banana plugs of most of the worldwide most famous manufacturers.



(Bottom) European Union marking. The clip complies with the European LVD by meeting the harmonized standard EN / IEC 61010-031:2008.

(Bottom) Electro-PJP's marking. (French design and manufacturing.)

(Bottom) Voltage protection markings.

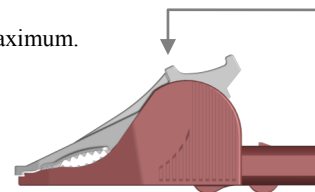


# 5066-IEC

Designation : Alligator Clip w/ 4 mm Banana (female) Jack (socket).

**Electrical protection** According to EN / IEC 61010-031:2008. 1000 V CAT II / 1000 V CAT III / 600 V CAT IV, reinforced insulation, 36 A (at +40 °C). According to EN / IEC 60529. IP2X (touchproof) when the jaws are closed. These specifications come from the creepage distances, clearances, accessible parts, and solid insulation of the clip. And the considered specifications of the environment are :

- pollution degree, 1 or 2 ;
- relative humidity, 80 % maximum for temperatures up to 31 °C decreasing linearly to 50 % relative humidity at +40 °C ;
- temperature range, +5 °C to +40 °C ;
- indoor use ; and
- altitude, 2000 m maximum.



Barrier. Keep behind this barrier to operate safely the clip while connecting to hazardous live voltages (more than 33 V AC and 70 V DC).

**Operating temperature range** -20 °C mini., +80 °C maxi. (please see above too).

**Protection against fire** According to EN / IEC 61010-031:2008. The clip is compatible with the requirements of protection against the spread of fire and resistance to heat by its basic insulation.

- Conformity**
- European Directive "Low Voltage Directive" 2006/95/EC.
  - International / European standard EN / IEC 61010-031:2008.
  - European Directive "RoHS" 2011/65/EU.
  - European REACH regulation n°1907 / 2006.
  - International / European standard EN / IEC 60529.

- Environment**
- "RoHS" compliant, Pb ≤ 4 % in conductor, Pb ≤ 0.1 % in insulator, Hg ≤ 0.1 %, Cr VI ≤ 0.1 %, Cd ≤ 0.01 %, PBB ≤ 0.1 %, and PBDE ≤ 0.1 %.
  - REACH compliant, no substances from the candidate list of SVHC for authorisation at mass concentrations greater than 0.1 %.

**Materials** Conductors : nickel-coated steel and steel. Insulators : please contact us.

**Colors**

Black	Red	Yellow	Green	Blue	White	G/Y
Brown	Purple	Gray				

**Weight** 0.020 kg.

**Origin** Designed and manufactured in France.

**Reliability benchmark** Year of 1st placing on the market 1995.

**Packaging** Bag of 10 units (default packaging).

## GLOSSARY :

- ACCESSIBLE.** Able to be touched with a standard test finger or test pin.
- BASIC INSULATION.** Insulation of hazardous live parts which provides basic protection.
- CAT II.** Measurement or overvoltage category II. For measurement performed on / equipment connected to the building wiring.
- CAT III.** Measurement or overvoltage category III. For measurement performed on / equipment connected to part of a building wiring installation.
- CAT IV.** Measurement or overvoltage category IV. For measurement performed on / equipment connected to the origin of the electrical supply to a building.
- CLEARANCE.** Shortest distance in air between two conductive parts.
- CREEPAGE DISTANCE.** Shortest distance along the surface of a solid insulating material between two conductive parts.
- DOUBLE INSULATION.** Insulation comprising both BASIC INSULATION and SUPPLEMENTARY INSULATION.
- EN / IEC 60529:2001.** The 2001 version of the European / international standard regarding the degrees of protection provided by enclosures.
- EN / IEC 61010-031:2008.** The latest version (in February 2012) of the European / international standard regarding the safety requirements for electrical equipment for measurement, control and laboratory use – Part 031: Safety requirements for hand-held probe assemblies for electrical measurement and test. Version year 2008.
- IP2X.** Solid protection to prevent finger touch according to the European / international standard EN / IEC 60529.
- "LVD"** European Directive 2006/95/EC on the harmonisation of the laws of Member States relating to electrical equipment designed for use within certain voltage limits. (Usually called the Low Voltage Directive.)
- NF C 93-440:1986.** French standard regarding one pole plugs, sockets and safety assemblies diameter 4 mm and specially the interchangeability dimensions of plugs and sockets.
- OVERVOLTAGE CATEGORY.** Numeral defining a TRANSIENT OVERVOLTAGE condition.
- POLLUTION.** Addition of foreign matter, solid, liquid or gaseous (ionized gases), that may produce a reduction of dielectric strength or surface resistivity.
- POLLUTION DEGREE.** Numeral indicating the level of POLLUTION that may be present in the environment.
- POLLUTION DEGREE 1.** No POLLUTION or only dry, non-conductive POLLUTION occurs, which has no influence.
- POLLUTION DEGREE 2.** Only non-conductive POLLUTION occurs except that occasionally a temporary conductivity caused by condensation is expected.
- POLLUTION DEGREE 3.** Conductive POLLUTION occurs, or dry, non-conductive pollution occurs which becomes conductive due to condensation which is expected.
- REINFORCED INSULATION.** Insulation which provides protection against electric shock not less than that provided by DOUBLE INSULATION.
- "RoHS"** European Directive 2002/95/EC on the restriction of the use of certain hazardous substances in electrical and electronic equipment.
- SOLID INSULATION.** Insulating materials.
- SUPPLEMENTARY INSULATION.** Independent insulation applied in addition to BASIC INSULATION in order to provide protection against electric shock in the event of a failure of BASIC INSULATION.
- TRANSIENT OVERVOLTAGE.** Short duration overvoltage of a few milliseconds or less, oscillatory or non-oscillatory, usually highly damped.

Contact us at :  
sales@electro-pjp.com

+33(0) 384 821 330

www.electro-pjp.com

ELECTRO-PJP  
ZI "LES CHARMES D'AMONT"  
13 RUE DE MADRID  
39500 TAVAUUX  
FRANCE