

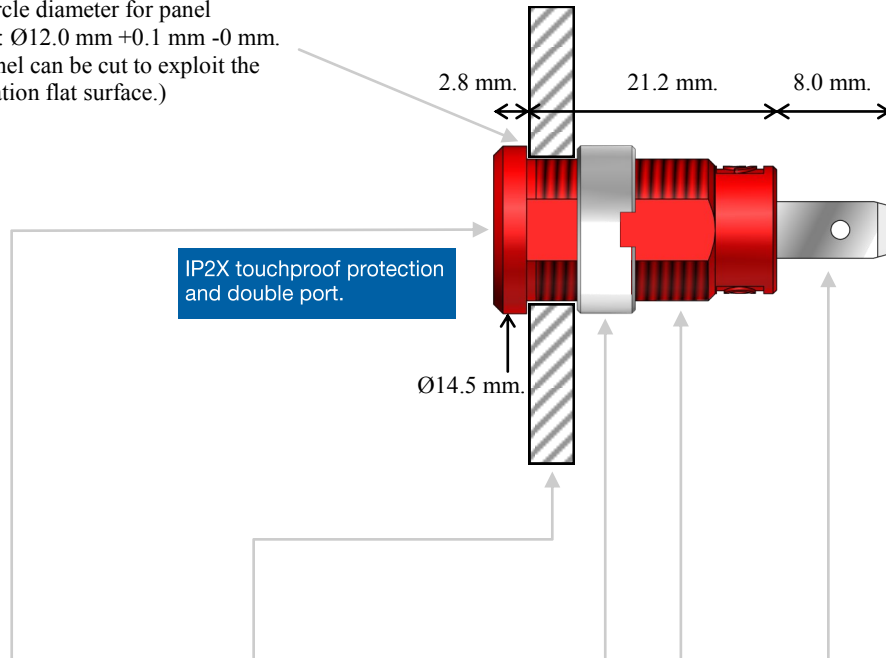
# 3274

Designation : 4 mm Banana (female) Jack (socket) w/ 4. mm (.188 ") Male Faston Terminal. Panel mounting, nut fixing.

P / N : 3274-C-*color* (screwed round nut), 3274-C-ECO-*color* (screwed hexagonal nut), 3274-I-*color* (unscrewed round nut), 3274-I-ECO-*color* (unscrewed hexagonal nut), 3274-C-*color*/AuNi (gold plated contact and screwed round nut), 3274-C-ECO-*color*/AuNi (gold plated contact and screwed hexagonal nut), 3274-I-*color*/AuNi (gold plated contact and unscrewed round nut), and 3274-I-ECO-*color*/AuNi (gold plated contact and unscrewed hexagonal nut).

The safety design of this socket allows it to integrate easily the building of electrical equipments in the scope of the standard EN / IEC 61010-1:2010. And once the socket is integrated, its safety design allows to connect to 4 mm banana plugs in the scope of the standard EN / IEC 61010-031:2008.

Pitch circle diameter for panel drilling :  $\text{Ø}12.0 \text{ mm} +0.1 \text{ mm} -0 \text{ mm}$ .  
(The panel can be cut to exploit the anti-rotation flat surface.)



The 4 mm banana female connection complies with the 4 mm banana plugs of most of the worldwide most famous manufacturers and meets the requirements of interchangeability dimensions of the French standard NF C 93-440:1986.

Plastic panel maximum thickness : 10.0 mm.

Fastening :  
• If hexagonal nut. Screwing by 14 mm open-end wrench. Tightening torque,  $\leq 2.3 \text{ N.m}$ .  
• If round nut. Screwing by Electro-PJP's wrenches P/N 3297 and P/N 3299. Tightening torque,  $\leq 2.3 \text{ N.m}$ .

Flat surface for anti-rotation purpose (if needed).

Terminal : complying with 4.8 mm female Faston (and complying with lead-free tin soldering and 150 Watts maximum soldering iron).



European Union marking. The socket complies with the European LVD by meeting the harmonized standard EN / IEC 61010-031:2008 and by being compatible with the harmonized standard EN / IEC 61010-1:2010.



Electro-PJP's marking.  
(French design and manufacturing.)

# 3274



## DATA SHEET (PAGE 2 OF 2).

**Designation :** 4 mm Banana (female) Jack (socket) w/ 4. mm (.188 ") Male Faston Terminal. Panel mounting, nut fixing.

**P / N :** 3274-C-color (screwed round nut), 3274-C-ECO-color (screwed hexagonal nut), 3274-I-color (unscrewed round nut), 3274-I-ECO-color (unscrewed hexagonal nut), 3274-C-color/AuNi (gold plated contact and screwed round nut), 3274-C-ECO-color/AuNi (gold plated contact and screwed hexagonal nut), 3274-I-color/AuNi (gold plated contact and unscrewed round nut), and 3274-I-ECO-color/AuNi (gold plated contact and unscrewed hexagonal nut).

### Electrical protection

1000 V CAT II  
1000 V CAT III  
600 V CAT IV

The design of the socket front face meets the requirements of EN / IEC 61010-031:2008 and the socket design is compatible with EN / IEC 61010-1:2010 for reinforced insulation at 1000 V CAT II / 1000 V CAT III / 600 V CAT IV and 36 A (at 40 °C).

These specifications come from the creepage distances, clearances, solid insulation, and CTI of the socket. And the considered building and implementation specifications are : insulating panel ; pollution degree of the micro-environment, 1 or 2 ; relative humidity of the micro-environment, 80 % maximum for temperatures up to 31 °C decreasing linearly to 50 % relative humidity at 40 °C ; temperature range of the micro-environment, +5 °C to +40 °C ; indoor use ; and altitude, 2000 m maximum. IP2X (touch-protected) protection on the front face according to EN / IEC 60529.

### Operating temperature range

-20 °C mini., +80 °C maxi. (please see above too).

### Protection against fire

The socket design is compatible with the EN / IEC 61010-031:2008 requirements of protection against the spread of fire and resistance to heat by its basic insulation. The socket design is compatible with the EN / IEC 61010-1:2010 requirements of eliminating / reducing the sources of ignition within the equipment by its basic insulation. The socket isn't designed to comply with the building of equipment containing or using flammable liquids and with circuits producing heat.

### Conformity

- European Directive "Low Voltage Directive" 2006/95/EC.
- European Directive "RoHS" 2011/65/EU.
- European REACH regulation n°1907 / 2006.
- International / European standard EN / IEC 61010-031:2008.
- International / European standard EN / IEC 61010-1:2010.
- International / European standard EN / IEC 60529.
- French standard NF C 93-440:1986.

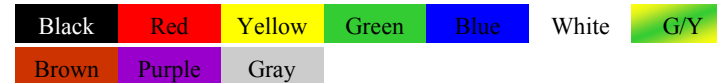
### Environment

- "RoHS" compliant, Pb ≤ 4 % in conductor, Pb ≤ 0.1 % in insulator, Hg ≤ 0.1 %, Cr VI ≤ 0.1 %, Cd ≤ 0.01 %, PBB ≤ 0.1 %, and PBDE ≤ 0.1 %.
- REACH compliant, no substances from the candidate list of SVHC for authorisation at mass concentrations greater than 0.1 %

### Materials

Conductors : nickel-coated or gold-coated brass. Insulator : please contact us, CTI < 175.

### Colors



### Weight

0.006 kg.

### Origin

Designed and manufactured in France.

### Reliability benchmark

Year of 1st placing on the market 1996.

### Packaging

Bag of 50 units (default packaging).

## GLOSSARY :

**ACCESSIBLE.** Able to be touched with a standard test finger or test pin.

**BASIC INSULATION.** Insulation of HAZARDOUS LIVE parts which provides basic protection.

**CAT II.** Measurement or overvoltage category II. For measurement performed on / equipment connected to the building wiring.

**CAT III.** Measurement or overvoltage category III. For measurement performed on / equipment connected to part of a building wiring installation.

**CAT IV.** Measurement or overvoltage category IV. For measurement performed on / equipment connected to the origin of the electrical supply to a building.

**CLEARANCE.** Shortest distance in air between two conductive parts.

**CREEPAGE DISTANCE.** Shortest distance along the surface of a solid insulating material between two conductive parts.

**CTI.** Comparative Tracking Index of the insulating material in accordance with IEC 60112.

**DOUBLE INSULATION.** Insulation comprising both BASIC INSULATION and SUPPLEMENTARY INSULATION.

**EN / IEC 60529:2001.** The 2001 version of the European / international standard regarding the degrees of protection provided by enclosures.

**EN / IEC 61010-1:2010.** The latest version (in February 2012) of the European / international standard regarding the safety requirements for electrical equipment for measurement, control, and laboratory use – Part I: General requirements. Version year 2010.

**EN / IEC 61010-031:2008.** The latest version (in February 2012) of the European / international standard regarding the safety requirements for electrical equipment for measurement, control and laboratory use – Part 031: Safety requirements for hand-held probe assemblies for electrical measurement and test. Version year 2008.

**"LVD".** European Directive 2006/95/EC on the harmonisation of the laws of Member States relating to electrical equipment designed for use within certain voltage limits. (Usually called the Low Voltage Directive.)

**MAINS.** Low-voltage electricity supply system to which the equipment concerned is designed to be connected for the purpose of powering the equipment.

**MAINS CIRCUIT.** Circuit which is intended to be directly connected to the MAINS for the purpose of powering the equipment.

**OVERVOLTAGE CATEGORY.** Numeral defining a TRANSIENT OVER-VOLTAGE condition.

**POLLUTION.** Addition of foreign matter, solid, liquid or gaseous (ionized gases), that may produce a reduction of dielectric strength or surface resistivity.

**POLLUTION DEGREE.** Numeral indicating the level of POLLUTION that may be present in the environment.

**POLLUTION DEGREE 1.** No POLLUTION or only dry, non-conductive POLLUTION occurs, which has no influence.

**POLLUTION DEGREE 2.** Only non-conductive POLLUTION occurs except that occasionally a temporary conductivity caused by condensation is expected.

**REINFORCED INSULATION.** Insulation which provides protection against electric shock not less than that provided by DOUBLE INSULATION.

**"RoHS".** European Directive 2011/65/EU on the restriction of the use of certain hazardous substances in electrical and electronic equipment.

**SOLID INSULATION.** Insulating materials.

**SUPPLEMENTARY INSULATION.** Independent insulation applied in addition to BASIC INSULATION in order to provide protection

Contact us at :  
sales@electro-pjp.com

+33(0) 384 821 330

www.electro-pjp.com

ELECTRO-PJP  
ZI "CHARMES D'AMONT"  
13 RUE DE MADRID  
39500 TAVAUUX  
FRANCE