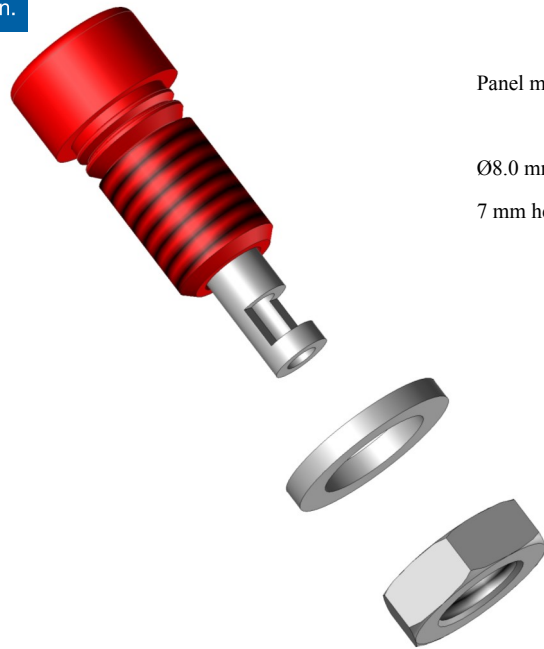


224-M5

Designation : 2 mm Banana (female) Jack (socket) w/ Solder Wire Attachment.

IP2X touchproof 2 mm banana female connection.



Pitch circle diameter for panel drilling :
Ø5.3 mm ±0.2 mm.

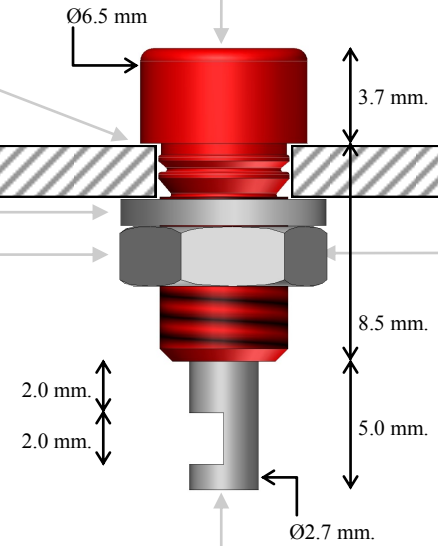
Panel minimum thickness : 2.1 mm.

Ø8.0 mm flat washer.

7 mm hex. nut.

Fastening :

- Put a 3 mm allen wrench into the 2 mm banana female connection,
- hold the hexagonal nut with a 7 mm open-end wrench, and
- screw. Tightening torque, 2.3 N.m maxi.



Terminal : 1.5 mm inner diameter
hole (depth, 5 mm) complying with
lead-free tin soldering and 150 Watts
maximum soldering iron.

224-M5

Designation : 2 mm Banana (female) Jack (socket) w/ Solder Wire Attachment.

Electrical protection

33 V AC / 70 V DC

Very low voltages only :
33 V AC / 70 V DC,
10 A (at +40 °C).

IP2X (touch-protected) protection on the front face according to EN / IEC 60529.

Operating temperature range

-20 °C mini., +80 °C maxi. (please see above too).

Conformity

- (Not concerned by the European Low Voltage Directive 2006/95/EC).
- International / European standard EN / IEC 60529.
- European Directive "RoHS" 2011/65/EU.

Environment

- "RoHS" compliant conductors, Pb ≤ 4 %, Hg ≤ 0.1 %, Cr VI ≤ 0.1 %, Cd ≤ 0.01 %, PBB ≤ 0.1 %, and PBDE ≤ 0.1 %.
- "RoHS" compliant insulator, Pb ≤ 0.1 %, Hg ≤ 0.1 %, Cr VI ≤ 0.1 %, Cd ≤ 0.01 %, PBB ≤ 0.1 %, and PBDE ≤ 0.1 %.

Materials

Conductors : nickel-coated brass. Insulator : please contact us.

Colors

Black Red Yellow Green Blue White

Weight

0.0013 kg.

Origin

Designed and manufactured in France.

Reliability benchmark

Year of 1st placing on the market 1998.

Packaging

Bag of 100 units (default packaging).

Contact us at :
sales@electro-pjp.com

+33(0) 384 821 330

www.electro-pjp.com

ELECTRO-PJP
ZI Les Charmes d'Amont - Rue de Madrid
39500 TAVAUX
FRANCE

GLOSSARY :

ACCESSIBLE. Able to be touched with a standard test finger or test pin.

BASIC INSULATION. Insulation of HAZARDOUS LIVE parts which provides basic protection.

CAT II. Measurement or overvoltage category II. For measurement performed on / equipment connected to the building wiring.

CAT III. Measurement or overvoltage category III. For measurement performed on / equipment connected to part of a building wiring installation.

CAT IV. Measurement or overvoltage category IV. For measurement performed on / equipment connected to the origin of the electrical supply to a building.

CLEARANCE. Shortest distance in air between two conductive parts.

CREEPAGE DISTANCE. Shortest distance along the surface of a solid insulating material between two conductive parts.

CTI. Comparative Tracking Index of the insulating material in accordance with IEC 60112.

DOUBLE INSULATION. Insulation comprising both BASIC INSULATION and SUPPLEMENTARY INSULATION.

EN / IEC 60529:2001. The 2001 version of the European / international standard regarding the degrees of protection provided by enclosures.

EN / IEC 61010-1:2010. The latest version (in February 2012) of the European / international standard regarding the safety requirements for electrical equipment for measurement, control, and laboratory use – Part 1: General requirements. Version year 2010.

EN / IEC 61010-031:2008. The latest version (in February 2012) of the European / international standard regarding the safety requirements for electrical equipment for measurement, control and laboratory use – Part 031: Safety requirements for hand-held probe assemblies for electrical measurement and test. Version year 2008.

"LVD". European Directive 2006/95/EC on the harmonisation of the laws of Member States relating to electrical equipment designed for use within certain voltage limits. (Usually called the Low Voltage Directive.)

MAINS. Low-voltage electricity supply system to which the equipment concerned is designed to be connected for the purpose of powering the equipment.

MAINS CIRCUIT. Circuit which is intended to be directly connected to the MAINS for the purpose of powering the equipment.

OVERVOLTAGE CATEGORY. Numeral defining a TRANSIENT OVERVOLTAGE condition.

POLLUTION. Addition of foreign matter, solid, liquid or gaseous (ionized gases), that may produce a reduction of dielectric strength or surface resistivity.

POLLUTION DEGREE. Numeral indicating the level of POLLUTION that may be present in the environment.

POLLUTION DEGREE 1. No POLLUTION or only dry, non-conductive POLLUTION occurs, which has no influence.

POLLUTION DEGREE 2. Only non-conductive POLLUTION occurs except that occasionally a temporary conductivity caused by condensation is expected.

REINFORCED INSULATION. Insulation which provides protection against electric shock not less than that provided by DOUBLE INSULATION.

"RoHS". European Directive 2011/65/EU on the restriction of the use of certain hazardous substances in electrical and electronic equipment.

SOLID INSULATION. Insulating materials.

SUPPLEMENTARY INSULATION. Independent insulation applied in addition to BASIC INSULATION in order to provide protection against electric shock in the event of a failure of BASIC INSULATION.

TRANSIENT OVERVOLTAGE. Short duration overvoltage of a few milliseconds or less, oscillatory or non-oscillatory, usually highly damped.

WORKING VOLTAGE. Highest r.m.s. value of the a.c. or d.c. voltage across any particular insulation which can occur when the equipment is supplied at rated voltage.