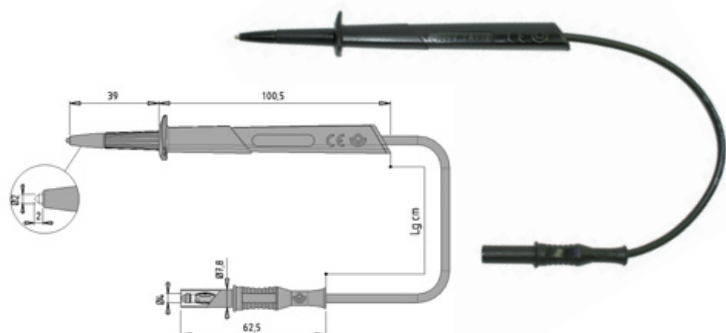


**TEST LEADS 1000 V (CAT IV / CAT III) According to IEC 61010-031**  
**CORDONS POINTE DE TOUCHE 1000 V (CAT IV / CAT III) Selon 61010-031**  
**SICHERHEITSMESSLEITUNGEN 1000 V (CAT IV / CAT III) Nach 61010-031**

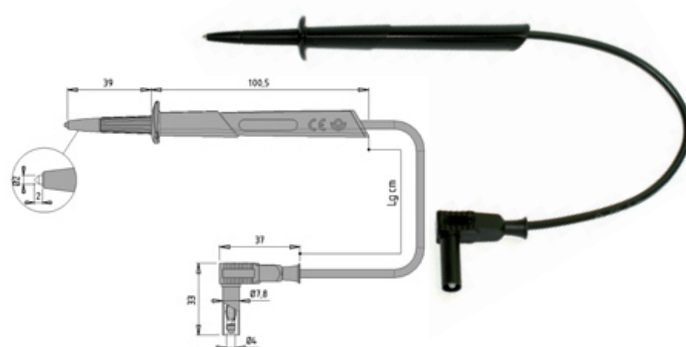
**Type 1**

**1000 V CAT IV**



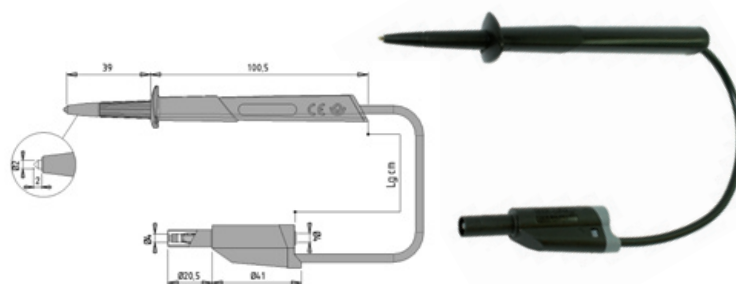
**Type 2**

**1000 V CAT III**



**Type 3**

**1000 V CAT III**



	Reference - Référence - Bestell-Nr			L cm	Wire Câble Litze	Max current I admissible Bemessungs- strom	m Ω maxi	Pack	Colours Couleurs Farben #	
	Type 1	Type 2	Type 3						R	N
	1000 V CAT IV	1000 V CAT III	1000 V CAT III							
<b>Material :</b> Contacts : brass and CuBe / Ni (Au/Ni feasible) Insulators : Polypropylene/Polyamide. <b>Matière :</b> Contacts : laiton et CuBe / Ni (Au/Ni possible). Isolants : Polypropylène/Polyamide. <b>Material :</b> Kontakte : CuBe und Messing vernickelt/Au/Ni auf Anfrage. Isolation : Polypropylen/Polyamide.	11310-IEC-100 #	11410-IEC-100 #	11710-IEC-100 #	100	PVC 0,75 mm <sup>2</sup> T °C - 20 + 80	12 A	30	10	Red - Rouge - Rot	Black - Noir - Schwarz
	11310-IEC-120 #	11410-IEC-120 #	11710-IEC-120 #	120						
	11310-IEC-150 #	11410-IEC-150 #	11710-IEC-150 #	150						
	11311-IEC-100 #	11411-IEC-100 #	11711-IEC-100 #	100	Silicone 0,75 mm <sup>2</sup> T °C - 60 + 180 (pic + 230)	20 A	30			
	11311-IEC-120 #	11411-IEC-120 #	11711-IEC-120 #	120						
	11311-IEC-150 #	11411-IEC-150 #	11711-IEC-150 #	150						
	11312-IEC-100 #	11412-IEC-100 #	11712-IEC-100 #	100	PVC 1,00 mm <sup>2</sup> T °C - 20 + 80	25 A	25			
	11312-IEC-120 #	11412-IEC-120 #	11712-IEC-120 #	120						
	11312-IEC-150 #	11412-IEC-150 #	11712-IEC-150 #	150						
	11319-IEC-100 #	11419-IEC-100 #	11719-IEC-100 #	100	Silicone 1,00 mm <sup>2</sup> T °C - 60 + 180 (pic + 230)	36 A	25			
11319-IEC-120 #	11419-IEC-120 #	11719-IEC-120 #	120							
11319-IEC-150 #	11419-IEC-150 #	11719-IEC-150 #	150							
11315-IEC-100 #	11415-IEC-100 #	11715-IEC-100 #	100	PVC 1,50 mm <sup>2</sup> T °C - 20 + 80	25 A	20				
11315-IEC-120 #	11415-IEC-120 #	11715-IEC-120 #	120							
11315-IEC-150 #	11415-IEC-150 #	11715-IEC-150 #	150							
11313-IEC-100 #	11413-IEC-100 #	11713-IEC-100 #	100	Silicone 1,50 mm <sup>2</sup> T °C - 60 + 180 (pic + 230)	36 A	20				
11313-IEC-120 #	11413-IEC-120 #	11713-IEC-120 #	120							
11313-IEC-150 #	11413-IEC-150 #	11713-IEC-150 #	150							
11317-IEC-100 #	11417-IEC-100 #	11717-IEC-100 #	100	PVC 2,50 mm <sup>2</sup> T °C - 20 + 80	36 A	20				
11317-IEC-120 #	11417-IEC-120 #	11717-IEC-120 #	120							
11317-IEC-150 #	11417-IEC-150 #	11717-IEC-150 #	150							
11314-IEC-100 #	11414-IEC-100 #	11714-IEC-100 #	100	Silicone 2,50 mm <sup>2</sup> T °C - 60 + 180 (pic + 230)	36 A	20				
11314-IEC-120 #	11414-IEC-120 #	11714-IEC-120 #	120							
11314-IEC-150 #	11414-IEC-150 #	11714-IEC-150 #	150							